

Surface Mount Isolator
1930 MHz—1990 MHz

MAFRIN0428

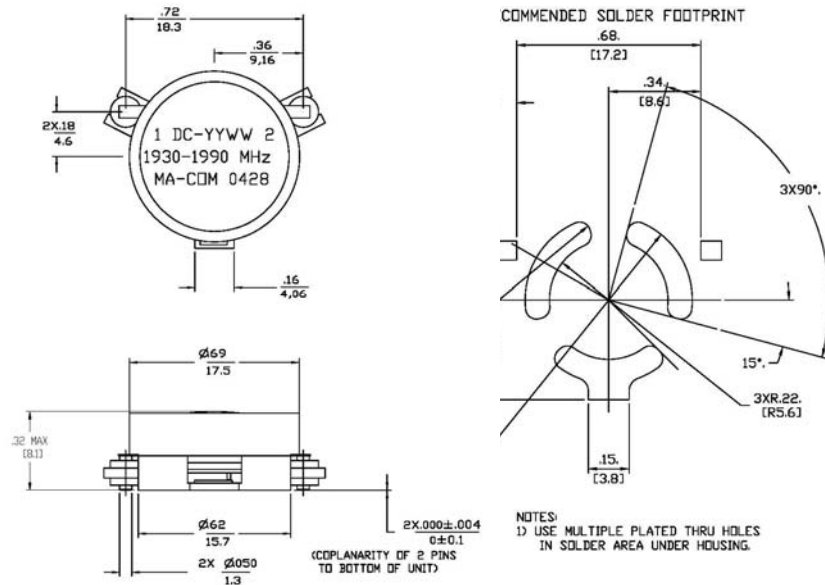
V1

Features

- Designed for wireless base station market
- 25dB Isolation typical
- 0.25dB Insertion Loss typical
- Low cost package
- RoHS compliant

Description

This isolator is designed specifically for wireless base station applications and features high reliability performance at a low cost. It is in a low cost package ideally suited for high volume manufacturing. M/A Com is one of the largest suppliers of isolators and circulators in the world.



Electrical Specifications

$T = T_{op}^1, Z_0 = 50 \text{ Ohms}$

Parameter	Test Conditions	Units	Min	Typ @25°C	Max
Frequency Range		MHz	1930		1990
Insertion Loss	1930 MHz—1990 MHz	dB		0.25	0.35
Isolation	1930 MHz—1990 MHz	dB	20.0	25.0	
Return Loss (Port 1 & 2)	1930 MHz—1990 MHz	dB	20.0	25.0	
Circulation				Clockwise	

1. See “Absolute Maximum Ratings” for T_{op} .

Absolute Maximum Ratings

Parameter	Absolute Maximum
Forward Power, CW	100 Watts
Reverse Power, CW	10 Watts
Peak Forward Power	500 Watts
Operating Temperature	-10°C to +70°C
Storage Temperature	-40°C to +100°C

1. Operation of this device above any one of these parameters may cause permanent damage.